

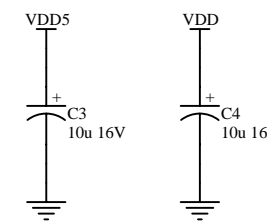
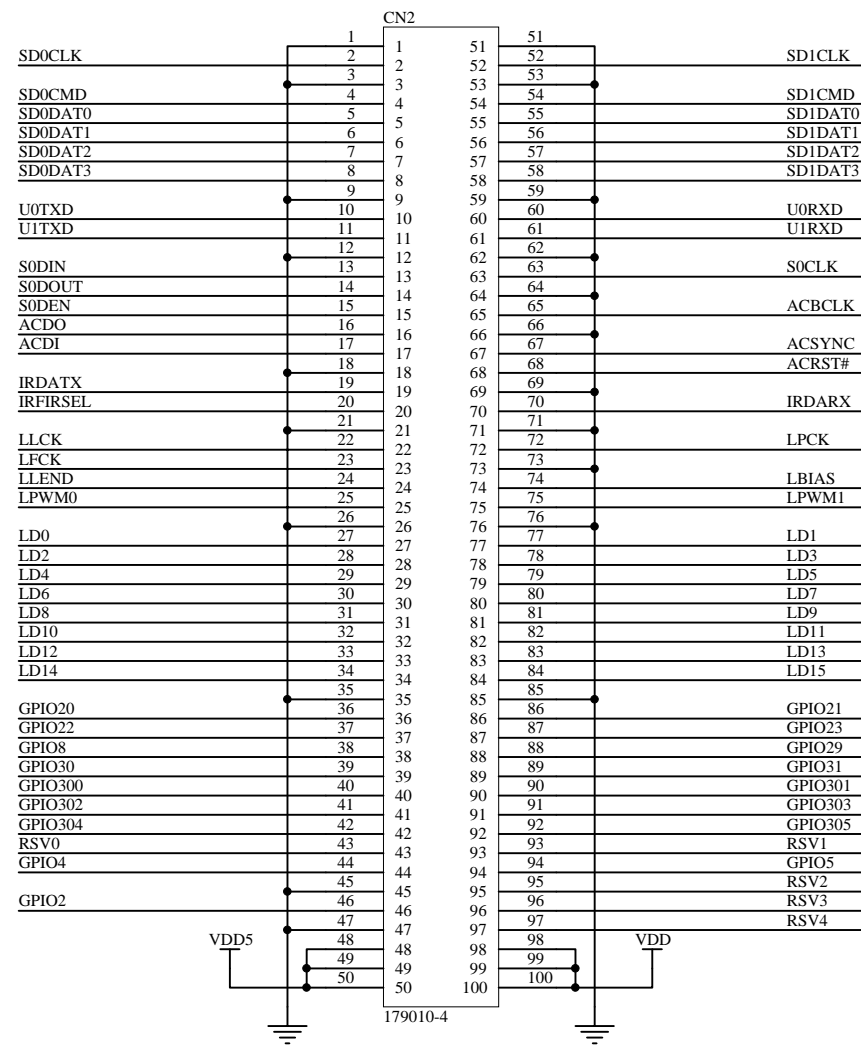
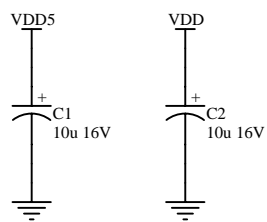
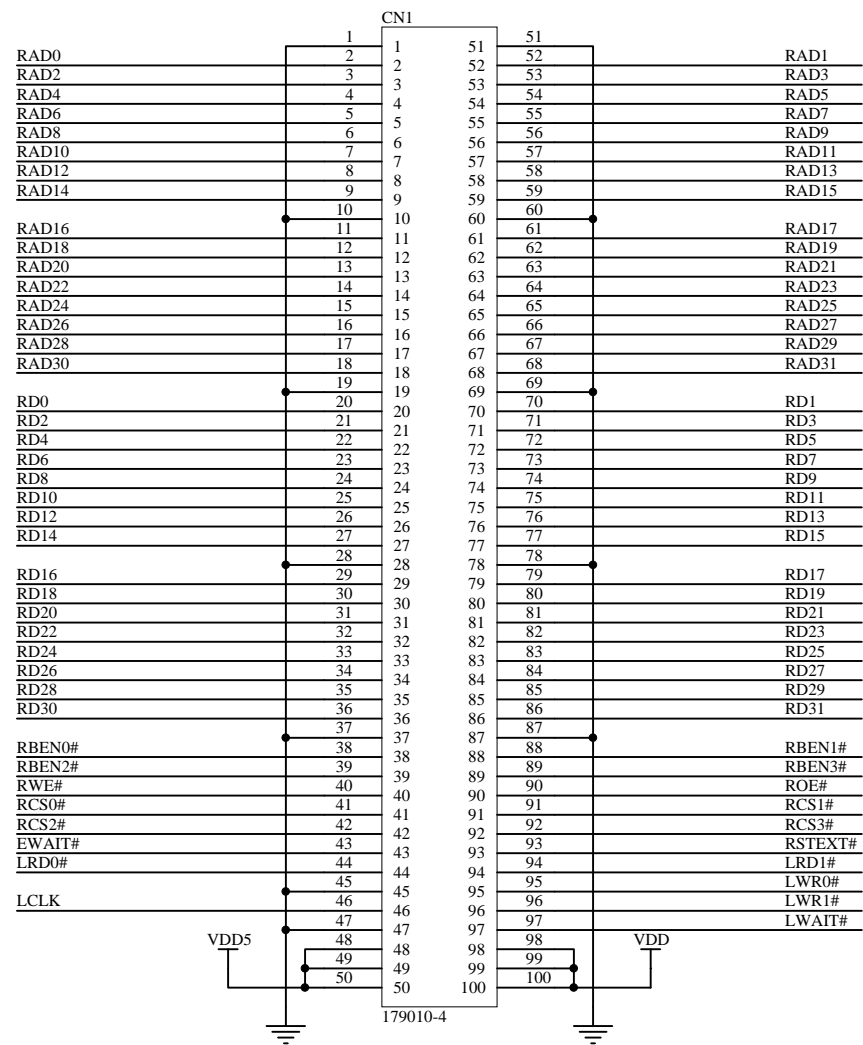
AURUM extended universal board

EXT page02_ext.sch	PIN-HEADER page03_pin.sch	RS232C page04_rs232.sch	HISTORY page05_history.sch
-----------------------	------------------------------	----------------------------	-------------------------------

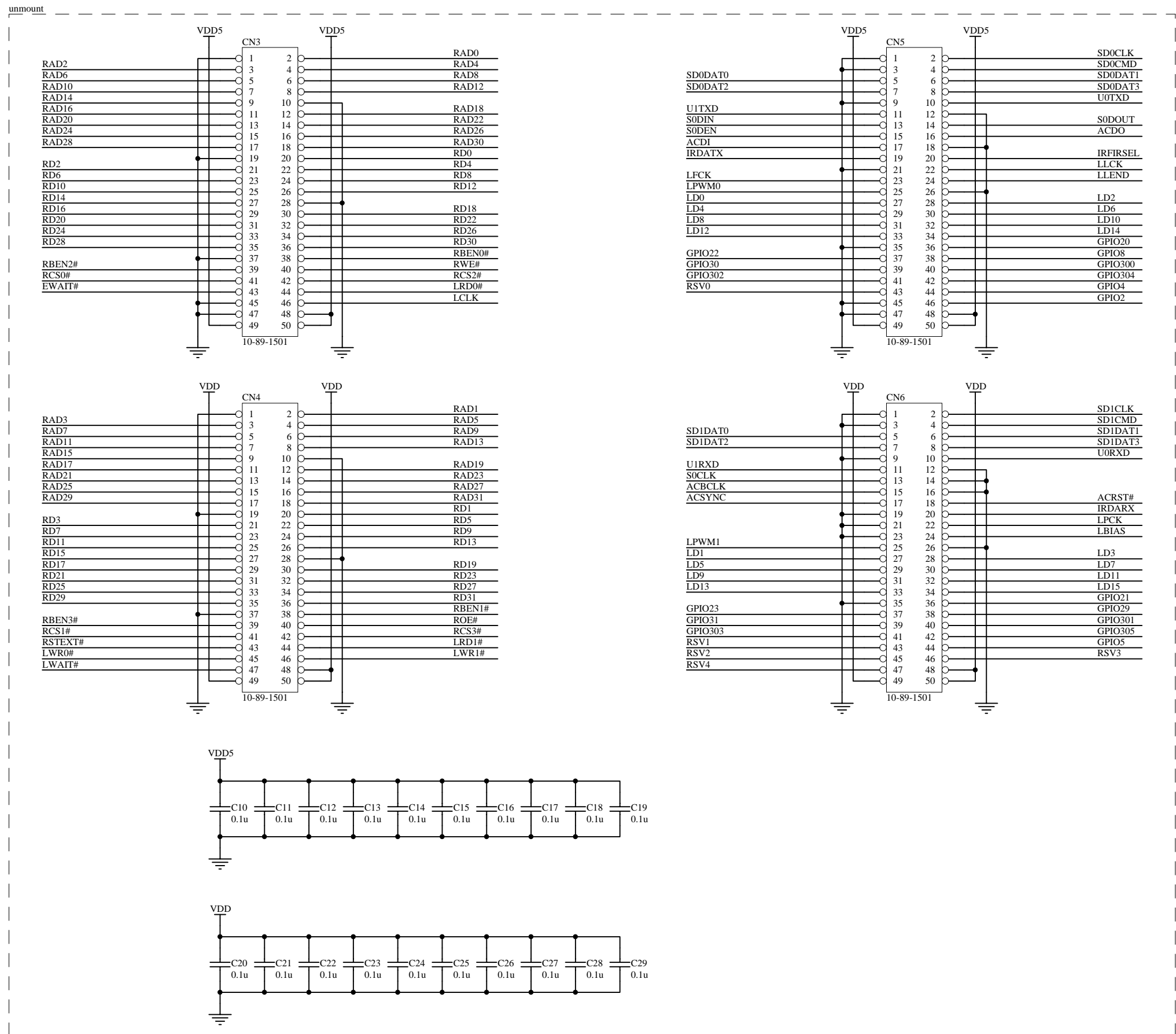
Device Drivers Limited

2005.02.14 Ver.03
2005.02.01 Ver.02
2004.12.29 Ver.01

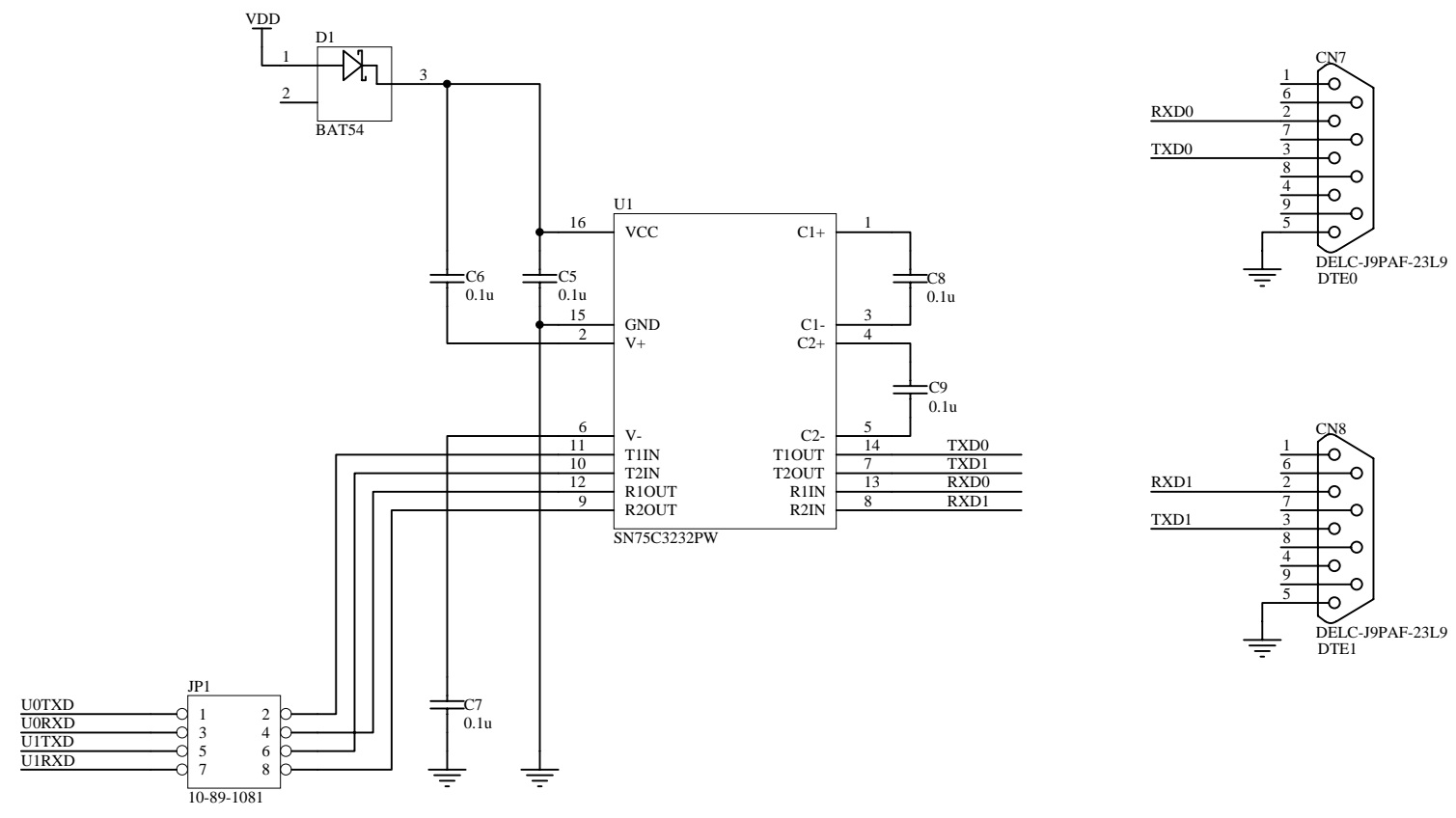
Title AURUM extended universal board		
Size A3	Number AUE0101SC03	Revision
Date: 1-Mar-2005	Sheet of 1 / 5	Drawn By: KAWAMOTO
File: O:\usr\pcb\ae01.ddb		



Title		
AURUM extended universal board		
Size	Number	Revision
A3	AUE0101SC03	
Date:	1-Mar-2005	Sheet of 2
File:	O:\usr\pcb\ae01.ddb	Drawn By: KAWAMOTO



Title		
AURUM extended universal board		
Size	Number	Revision
A3	AUE0101SC03	
Date:	1-Mar-2005	Sheet of 3
File:	O:\usr\pcb\ae01.ddb	Drawn By: KAWAMOTO



Title AURUM extended universal board		
Size A3	Number AUE0101SC03	Revision
Date: 1-Mar-2005	Sheet of 4	Drawn By: KAWAMOTO
File: O:\usr\pcb\ae01.ddb		

版数	日付	変更内容
01	2004.12.29	新規発行
02	2005.02.01	DTE0/1, DCE0/1不具合修正 U1部品変更(MAX3232 SN75C3232PW) CN7, CN8部品変更(DELIC-J9PAF-23L9 / DELIC-J9SAF-23L9 747840-6 / 747844-6)
03	2005.02.14	DCE0/1未対応に仕様変更 CN7, CN8部品変更(747840-6 DELIC-J9PAF-23L9)

Title		
AURUM extended universal board		
Size	Number	Revision
A3	AUE0101SC03	
Date:	1-Mar-2005	Sheet of 5
File:	O:\usr\pcb\ae01.ddb	Drawn By: KAWAMOTO